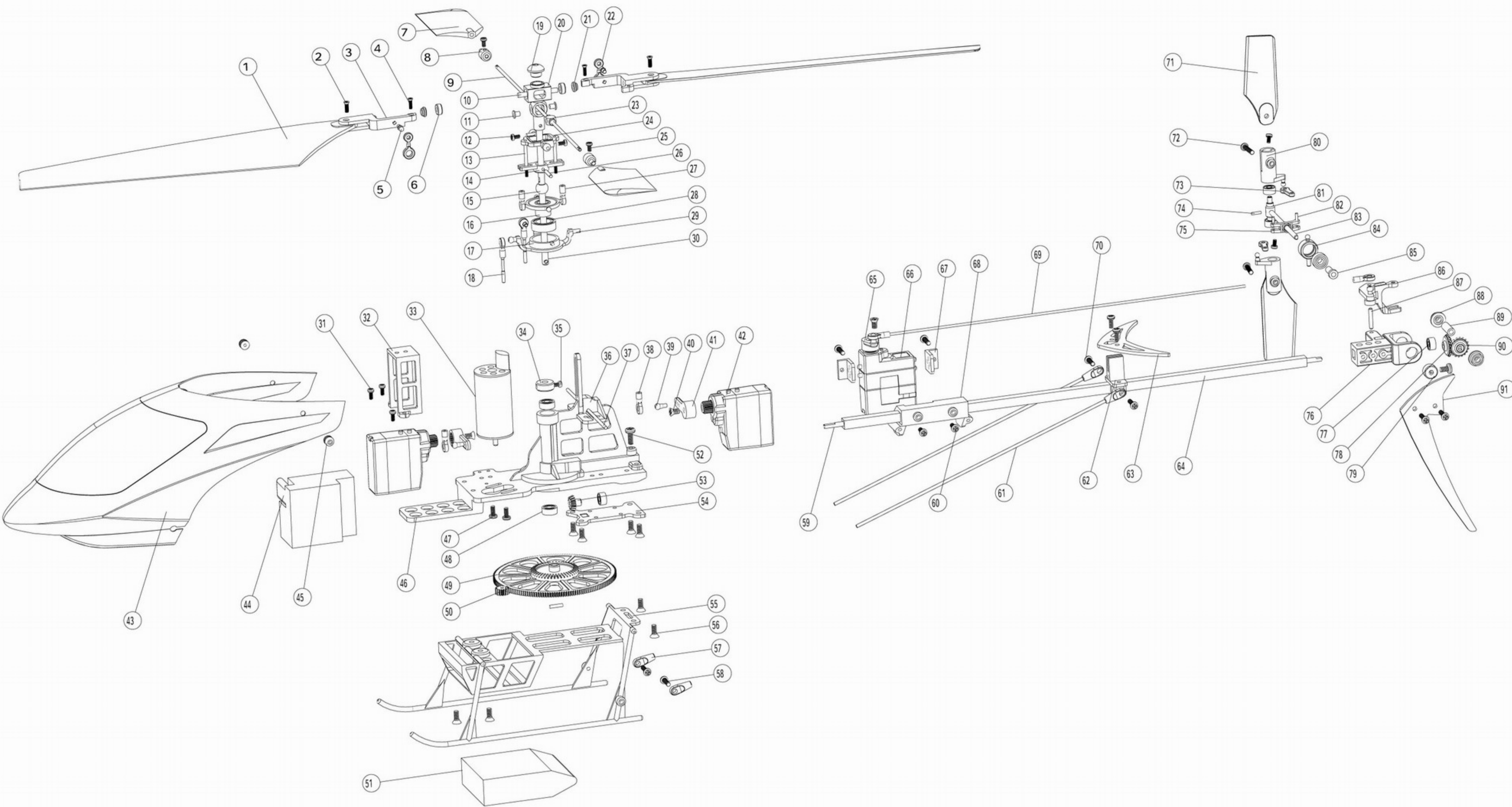


HM 4#6



Part Code	Description	Specification	Q'ty
001	Main Blade		2
002	Cross Recessed Countersunk Head Screw	KM1.2*3.5	2
003	Blade Holder		2
004	Cross Recessed Countersunk Head Screw	KM1*3.5	2
005	Steel Ball A		2
006	Blades Holder Rubber Ring		2
007	Flybar Paddle		2
008	Flybar Connector		2
009	Flybar Blade Rod		1
010	Main Blade Shaft		1
011	Copper ball		2
012	Cross Recessed Pan Head Tapping Screw	PB1.2*3.5	2
013	Ball A		2
014	Steering Holder		1
015	Swashplate Holding Ball		1
016	Swashplate Body (Upper)		1
017	Swashplate (Bottom)		1
018	Ball Linkage A		2
019	Rotor Head Cover		1
020	Sleeve of Rotor Head		1
021	Blades Holder Rubber Ring		2
022	Short Link Rod		2
023	Rotor head inner sleeve		1
024	Rotor head ring		1
025	Cross Recessed Pan Head Screw	PM1.2*2	3
026	Main Shaft Pin		2
027	Ball sleeve		2
028	Bearing	$\Phi 5 * \Phi 8 * 2.5$	1
029	Steering Rod		1
030	Main Shaft		1
031	Cross Recessed Pan Head Tapping Screw	PB1.2*2.5	3

Part Code	Description	Specification	Q'ty
032	Servo Holder D		1
033	Motor		1
034	Main Shaft Fixer		1
035	Cross Recessed Pan Head Screw	PM1.4*3	1
036	Servo Holder C		1
037	Canopy Rod		1
038	Ball Linkage Joint		6
039	Metal Ball A		5
040	Cross Recessed Countersunk Head Tapping Screw	KB1.7*3	3
041	Servo Bellcrank		2
042	Servo		2
043	Canopy		1
044	Receiver		1
045	Canopy Rod Cap		2
046	Main Frame		1
047	Cross Recessed Pan Head Screw with washer	PWM1.4*3	2
048	Bearing	$\Phi 2 * \Phi 5 * 2$	3
049	Main Motor Gear		1
050	Motor Gear		1
051	Battery		5
052	Cross Recessed Pan Head Screw	PB1.6*4	1
053	Cone-shaped Gear A		1
054	Tail Shaft Holder		1
055	Battery Holder		1
056	Cross Recessed Countersunk Head Tapping Screw	KB1.6*4	8
057	Tail Strut Tie-in		4
058	Cross Recessed Pan Head Tapping Screw	PB1.4*4	6
059	Tail Drive Shaft		1
060	Cross Recessed Pan Head Tapping Screw	PB1.4*3	4
061	Tail Knighthead		2
062	Fixing plate		1

Part Code	Description	Specification	Q'ty
063	Horizontal Stabilizer		1
064	Tail Boom		1
065	3g Servo Bellcrank		1
066	Servo		1
067	Fixing Plate For Servos		2
068	Servo holder		1
069	Tail Ball Linkage		1
070	Cross Recessed Pan Head Tapping Screw	PB1.4*4.5	2
071	Tail blade		2
072	Cross Recessed Pan Head Tapping Screw	PB1.4*6.5	2
073	Tail Blade Connector		2
074	Pin 1		1
075	Tail Rotor connector		1
076	Tail gear holder		1
077	Bearing	$\Phi 1.5 * \Phi 4 * 2$	4
078	Cone-shaped gear C		1
079	Tail Rod Holder		1
080	Tail Rotor Blade		2
081	Tail Rotor Connecting Shaft		1
082	Pin A		2
083	Tail Shaft		1
084	Tail Shaft Steering Hloder		1
085	Tail Blade Sleeve		1
086	Rudder rod bellcrank		1
087	Pin		1
088	Step Bearing	$\Phi 1.5 * \Phi 4 * 2$	2
089	Tail axle rubber sleeve		1
090	Cone-shaped gear B		1
091	Vertical Stabilizer		1
092	Cross Recessed flat Head Screw	PM1*2	2